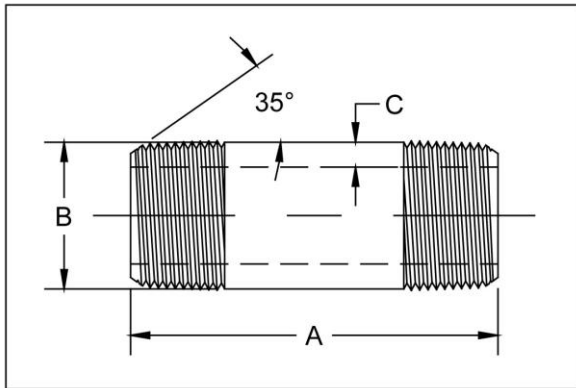


Brass pipe nipples

Material: ASTM B43,
 Threads: ANSI/ASME B 1.20.1



Pipe Size	B Pipe O.D.	A, Length																
		Close	Space															
1/8"	.405	3/4	1 1/2	2	2 1/2	3	3 1/2	4	4 1/4	5	5 1/2	6	7	8	9	10	11	12
1/4"	.540	7/8	1 1/2	2	2 1/2	3	3 1/2	4	4 1/4	5	5 1/2	6	7	8	9	10	11	12
3/8"	.675	1	1 1/2	2	2 1/2	3	3 1/2	4	4 1/4	5	5 1/2	6	7	8	9	10	11	12
1/2"	.840	1 1/8	1 1/2	2	2 1/2	3	3 1/2	4	4 1/4	5	5 1/2	6	7	8	9	10	11	12
3/4"	1.050	1 3/8	1 1/2	2	2 1/2	3	3 1/2	4	4 1/4	5	5 1/2	6	7	8	9	10	11	12
1"	1.315	1 1/2		2	2 1/2	3	3 1/2	4	4 1/4	5	5 1/2	6	7	8	9	10	11	12
1 1/4"	1.660	1 5/8		2	2 1/2	3	3 1/2	4	4 1/4	5	5 1/2	6	7	8	9	10	11	12
1 1/2"	1.900	1 3/4		2	2 1/2	3	3 1/2	4	4 1/4	5	5 1/2	6	7	8	9	10	11	12
2"	2.375	2			2 1/2	3	3 1/2	4	4 1/4	5	5 1/2	6	7	8	9	10	11	12
2 1/2"	2.875	2 1/2				3	3 1/2	4	4 1/4	5	5 1/2	6	7	8	9	10	11	12
3"	3.500	2 5/8				3	3 1/2	4	4 1/4	5	5 1/2	6	7	8	9	10	11	12
4"	4.500	2 7/8						4	4 1/4	5	5 1/2	6	7	8	9	10	11	12
5"	5.563	3							4 1/4	5	5 1/2	6	7	8	9	10	11	12
6"	6.625	3 1/8							4 1/4	5	5 1/2	6	7	8	9	10	11	12
8"	8.625	3 1/2							4 1/4	5	5 1/2	6	7	8	9	10	11	12

Noted: Other lengths and size available. Grooved end, SQ end and Bevel end available. Contact us for details.