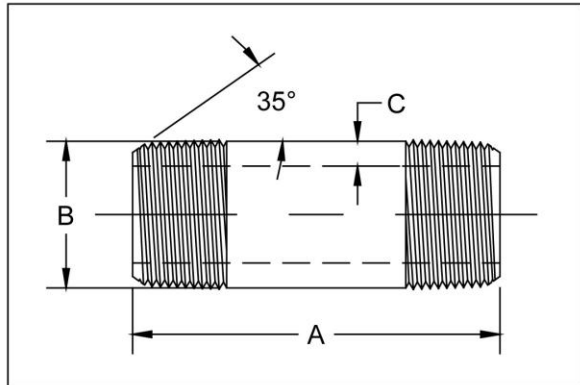


**BSPT, DIN2999, ISO 7/1, Brass pipe nipples.**

SCH40, 6061-T6  
 DIN2999 / BSPT / ISO 7/1.



Size		Length											
DN	inch	mm											
6	1/8	30	40	50	60	80	100	120	150	180	200	250	300
8	1/4	30	40	50	60	80	100	120	150	180	200	250	300
10	3/8	30	40	50	60	80	100	120	150	180	200	250	300
15	1/2	30	40	50	60	80	100	120	150	180	200	250	300
20	3/4	30	40	50	60	80	100	120	150	180	200	250	300
25	1	30	40	50	60	80	100	120	150	180	200	250	300
32	1 1/4		40	50	60	80	100	120	150	180	200	250	300
40	1 1/2		40	50	60	80	100	120	150	180	200	250	300
50	2		40	50	60	80	100	120	150	180	200	250	300
65	2 1/2				60	80	100	120	150	180	200	250	300
80	3					80	100	120	150	180	200	250	300
100	4						100	120	150	180	200	250	300
125	5							120	150	180	200	250	300
150	6							120	150	180	200	250	300

**Noted: Other lengths and size available. Grooved end, SQ end and Bevel end available. Contact us for details.**